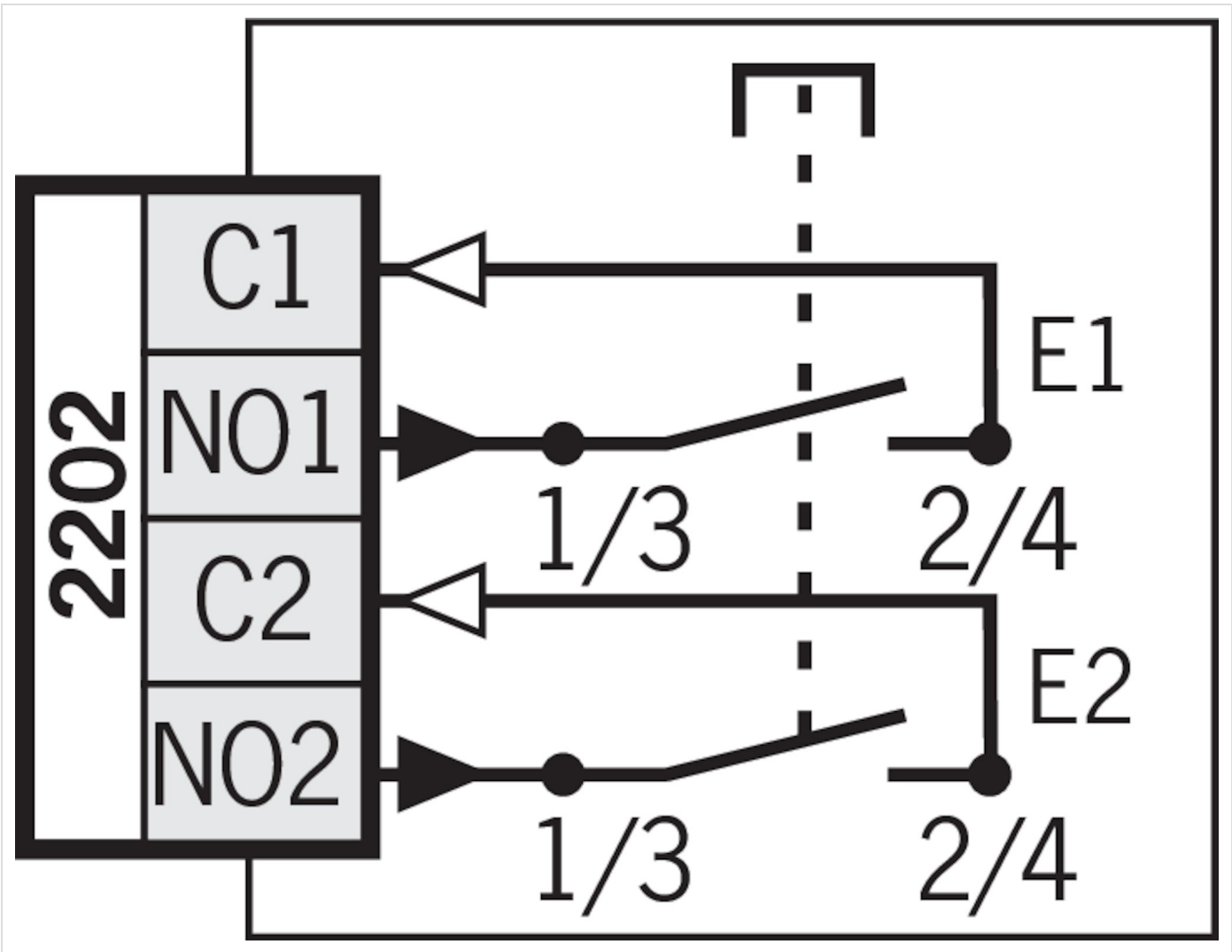
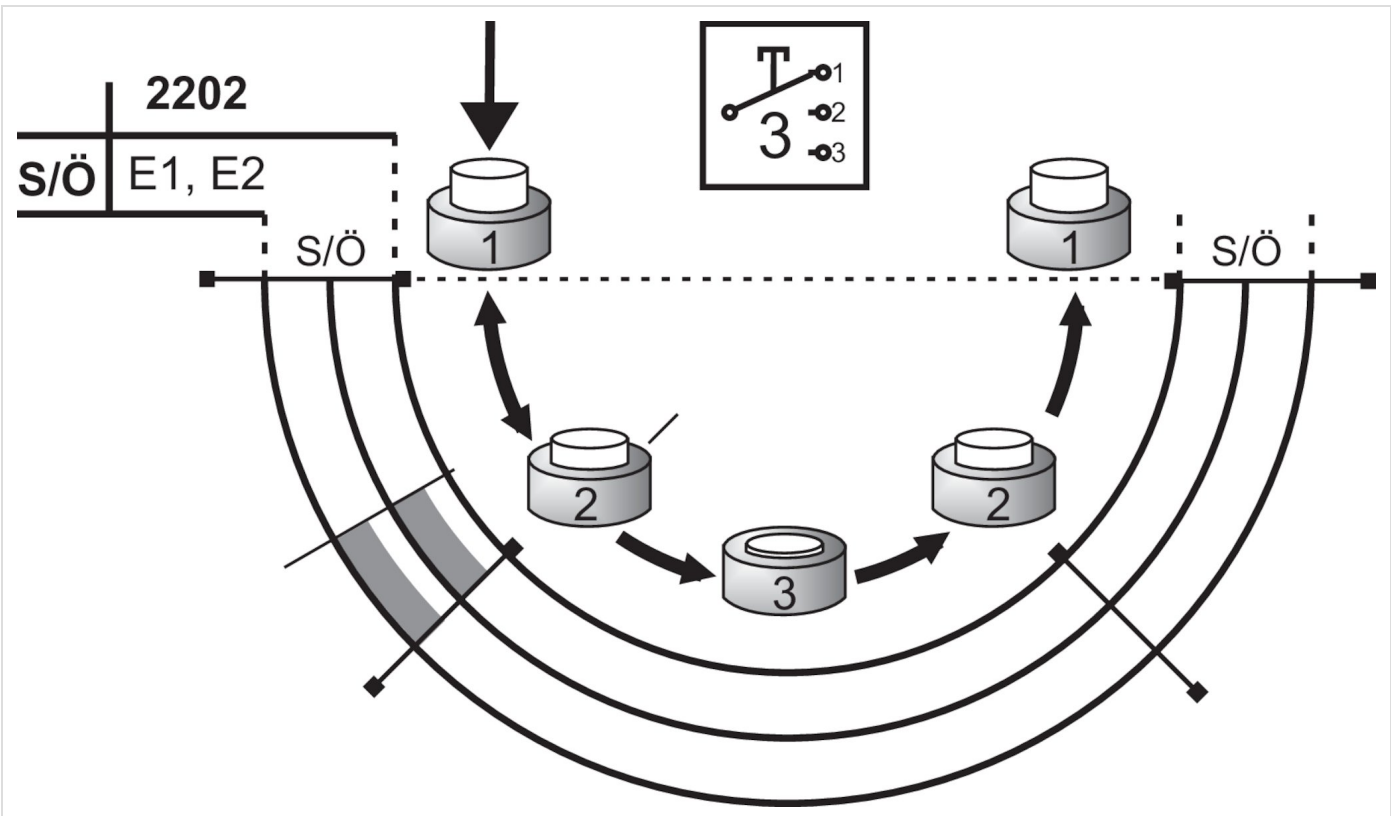


2202



Travel diagram



- open
- closed
- closed, enabling

## Technical data

### Approvals



### Mechanical values and environment

Rated actuating force according to EN 60947-5-8      max.100 N

#### Material

Protective cap CR

#### Housing material

Housing Polyamide

#### Weight

Net 0,03 kg

#### Ambient temperature

-5 ... 60 °C

#### Degree of protection

IP00  
(Connections)

IP65  
(On the front)

#### Mechanical life

Position 1-2-3-1 0,1 x 10<sup>6</sup>

Position 1-2-1 0,1 x 10<sup>6</sup>

#### Installation orientation

Any

#### Tightening torque

Screws max.0,15 Nm

#### Number of switching elements

2 NO

#### Connection

Screw terminal 4-pole

#### Stripping length

5 mm


#### Actuating force


max.50 N  
(from stage 2 to 3)


### Electrical connection ratings


Rated conditional short-circuit current	100 A
Utilization category acc. to EN 60947-5-2	
	DC-13 0.1A 24V
Fusing	
	external 0,1 A Medium slow-blow
Rated insulation voltage $U_i$	30 V
Rated impulse withstand voltage $U_{imp}$	1,5 kV
Switching current	5 ... 100 mA
Degree of contamination (external, according to EN 60947-1)	3
Connection cross-section	
	single conductor 0,33 ... 1,5 mm <sup>2</sup>
	multiple conductor 0,33 ... 0,75 mm <sup>2</sup>
Connection cross-section, AWG	
	multiple conductor 22 ... 18 AWG
	single conductor 22 ... 16 AWG
Breaking capacity	max.0,25 W
<b>Other</b>	
In compliance with	DIN EN 60947-5-8
Color	
	Housing Black
	Protective cap Black
<b>Reliability values according to EN ISO 13849-1</b>	
B10 <sub>D</sub>	0,75 x 10 <sup>6</sup>

## Contacts

 EUCHNER GmbH + Co. KG  
 Kohlhammerstraße 16  
 70771 Leinfelden-Echterdingen

 +49 711 7597-0

 +49 711 753316

 info(at)euchner.de